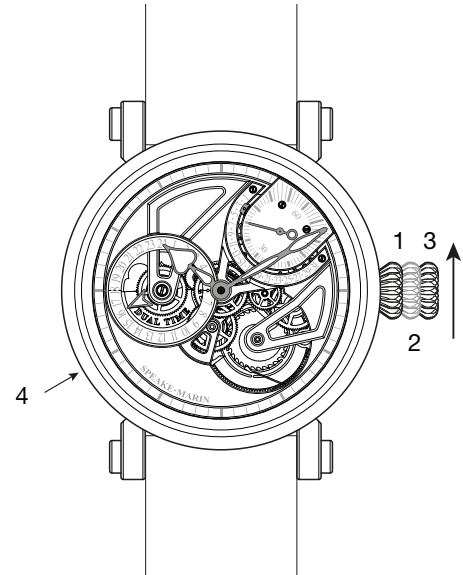
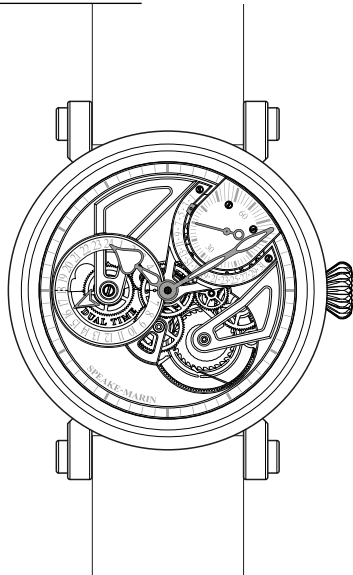


The ONE&TWO collection

OPENWORKED DUAL TIME TERRACOTTA

How to use your watch



UNDERSTAND THE DUAL TIME

- 1. "Local Time"**
There is, in the centre, a 12 hours dial to display the local time (hours and minutes).
- 2. "Home Time"**
The 24 hours dial, positioned at 9:00, is split in mint for the day and black for the night. It displays the "Home Time" hours only.
- 3. Retrograde Date**
On a 31-day ring, the hand jumps day by day. At the end of the 31st day, the spring allows the hand to reposition itself on day 1.

WATCH SETTING

THREE-position crown
Kindly set always the "Home Time" first.

- 1. Neutral and winding position**
Allows the user to manually wind their watch by turning the crown upwards.
- 2. Local time setting position**
Allows the user to set the time by turning the crown downwards: hours.
- 3. "Home time" setting position**
Allows the user to set the time by turning the crown downwards: hours and minutes.
- 4. The date setting**
For shorter months (<31 days), or simply to set the date, use the pusher on the left of the case with the help of a stylus.



SPEAKE-MARIN

CAUTION

Every time you change the time, remember to put the crown back in position 1.

WARNING

Your watch is guaranteed water-resistant to 3 bars (30 m) provided the crown is placed back in position 1.