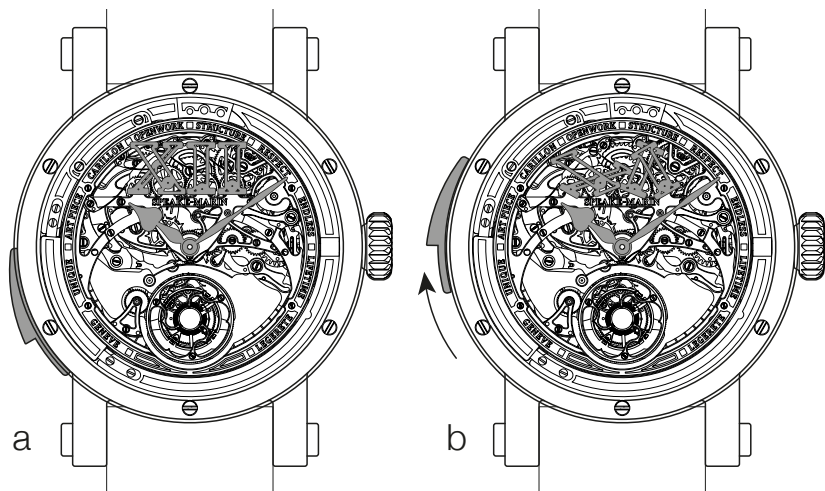


THE MINUTE REPEATER CARILLON How to use your watch

THE MINUTE REPEATER CARILLON

The minute repeater Carillon is the complication audibly chiming the hours, the quarters and the minutes. The striking mechanism goes off by actuating the trigger on the left-hand side case, just until it stops. When the mechanism starts running, the two hammers striking two bells will produce low-pitched and high-pitched sounds alternatively for the quarter-hours (one quarter-hour = one hammer stroke for hours and one hammer stroke for minutes) and high-pitched sounds the minutes up to 14 minutes.

Example for 3 h 38: 3 low-pitched sounds for 3 h, 2 alternating low-pitched / high-pitched sounds for 2 quarter-hours, and 8 high-pitched sounds for 8 minutes.

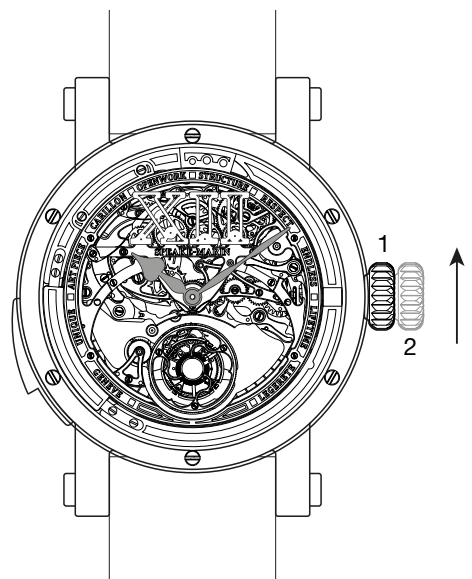


a. Closed mode :

The watch is the time display mode.

b. Open mode :

Activation of the minute repeater by pushing the trigger to the maximum. The watch chimes the hour, the quarter-hours and the minutes. The XII collapses onsite and rebuilds afterward.



WATCH SETTING

TWO-position crown

1. Neutral and winding position

Allows the user to manually wind their watch by turning the crown upwards.

2. Time setting position

Allows the user to set the time by turning the crown and turning the hands to the right time.

Never set off the minute repeater when the watch is in the midst of setting the hour, and conversely. Doing this could damage the movement.



SPEAKE MARIN

CAUTION

Every time you change the time, remember to put the crown back in position 1.

WARNING

Your watch is guaranteed water-resistant to 3 bars (30 m) provided the crown is placed back in position 1.