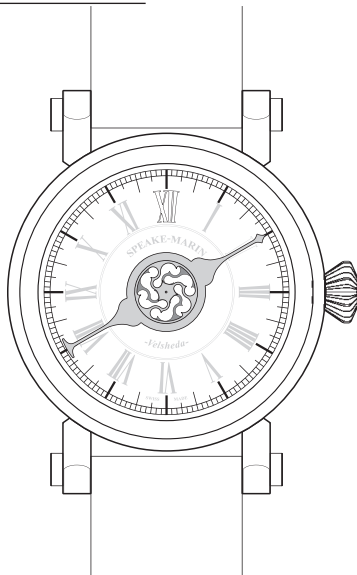


The **J-CLASS** collection

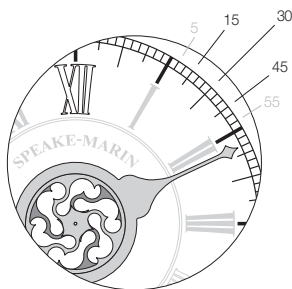
VELSHEDA

How to use your watch

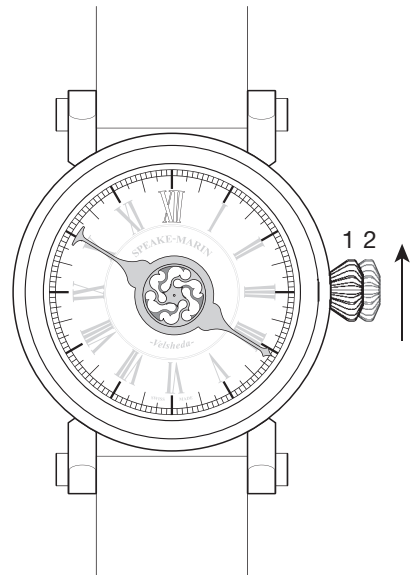


TIME READING

The Velsheda offers a minimalist time display with one blued steel hand indicating the hours and the minutes at its pointed end. At the centre of the watch, two superimposed patterns inspired from a topping tool, one displaying the seconds and the other one at the root of the double-hand, create changing arabesques bringing the dial to life and shows that the watch is running properly.



Example: hand indicating 10 minutes past 2



WATCH SETTING

TWO-position crown

1. Neutral and winding position

Allows the user to manually wind their watch by turning the crown upwards.

2. Time setting position

Allows the user to set the time by turning the crown and placing the hand at the right time.



SPEAKE-MARIN

CAUTION

Every time you change the time, remember to put the crown back in position 1.

WARNING

Your watch is guaranteed water-resistant to 3 bars (30 m) provided the crown is placed back in position 1.